

Hanging Rail Seat Installation Instructions



READ ALL INSTRUCTIONS CAREFULLY BEFORE INSTALLATION AND LEAVE WITH THE END USER FOR FUTURE REFERENCE.



THIS SEAT BRACKET CAN ONLY BE USED WITH 32mm 1900 SERIES HEAVY DUTY RAILS WHICH ARE SECURELY MOUNTED.



THIS SEAT BRACKET IS UNSUITABLE FOR SIDE TRANSFER.



MINIMUM RAIL LENGTH = 610mm

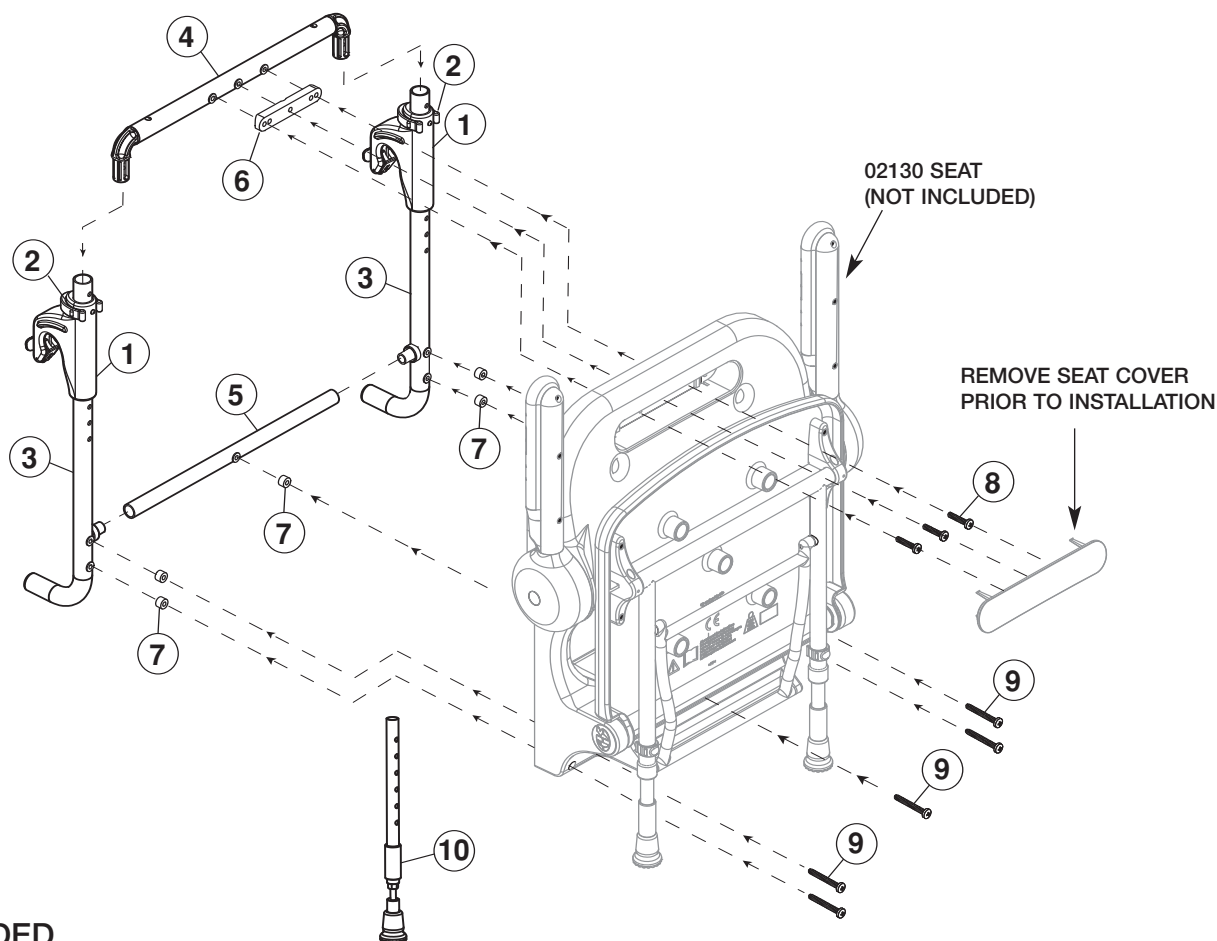


MAXIMUM LOAD CAPACITY IS DEPENDENT ON THE RAIL MOUNTING.

MAXIMUM LOAD CAPACITY WITH CORRECTLY MOUNTED RAIL = 25 Stone (158Kg)



Failure to install this AKW Medicare product in accordance with supplied instructions or the making of unauthorised modifications will invalidate any warranty and will affect product safety.



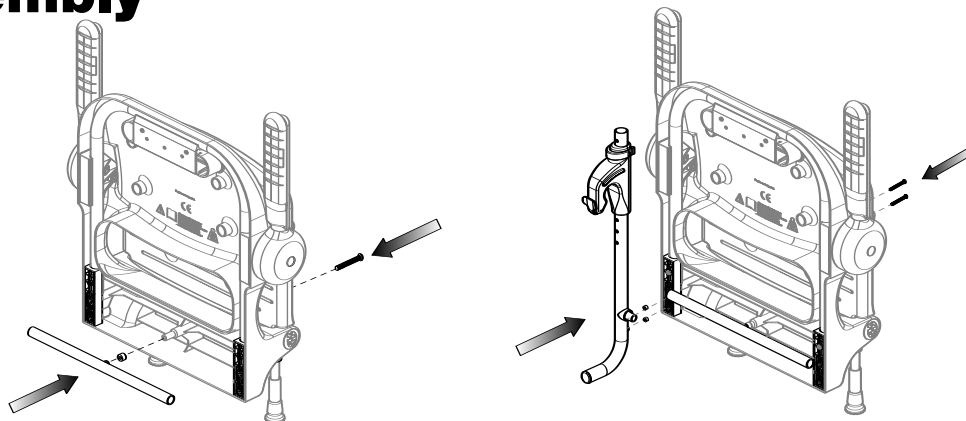
PARTS PROVIDED

Item No.	Description	Qty	Item No.	Description	Qty
1	Hanging Rail Hook	2	6	Top Spacer	1
2	Hook C-Clip & Locking Pin	2	7	Plastic Washer	5
3	LH & RH Vertical Frame	2	8	M6 x 25mm Screws	3
4	Top Horizontal Frame & Elbows	1	9	M6 x 50mm Screws	5
5	Bottom Horizontal Frame	1	10	Adjustable Leg	1

step 1 **Assembly**

Fit the bottom horizontal frame (5) onto the seat using 50mm screw (9) and plastic washer (7).

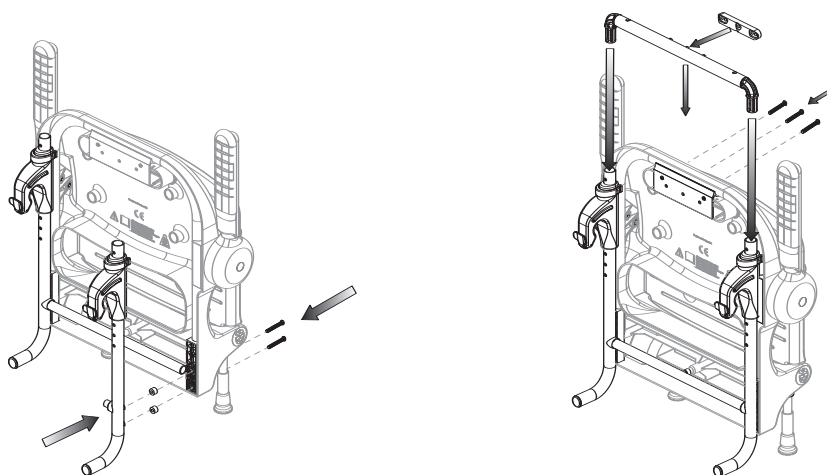
Fit the left vertical frame (3) to the seat using 2 x 50mm screws (9) and 2 x plastic washers (7).



step 2

Fit the right vertical frame (3) to the bottom horizontal frame (5) then mount to the seat using 2 x 50mm screws (9) and 2 x plastic washers (7).

Fit the top horizontal frame (4) to the vertical frame (3) then mount to the seat using 3 x 25mm screws (8) and the top spacer (6).

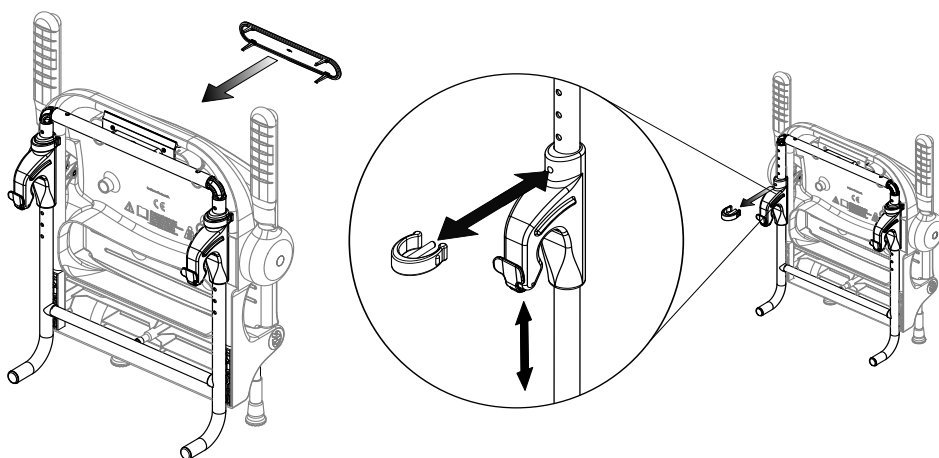


step 3

Ensure all screws are tight.
Replace seat cover.

To adjust the seat height remove the hook C-clip (2) and slide the hook up or down. Refit the C-clip. Ensure hanging rail hooks are the same height.

Ensure that bracket is securely fixed to the seat.



step 4

The grab rail must be fitted horizontally, check level.
The seat assembly can now be hooked onto the rail.

Ensure both hooks are securely in place and the locking catch has operated.

Replace the non adjustable leg supplied with the seat with the adjustable leg supplied with the bracket.

Adjust the leg length to ensure that the seat pad is horizontal and both feet are touching the floor and support the seat equally.

To remove the seat from the rail, grip the hook between the fingers and thumbs whilst flicking the catch to the open position with the forefingers.

